

FC-20

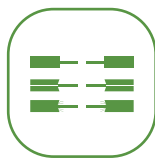
Handheld optical fiber cleaver



Make It Easy



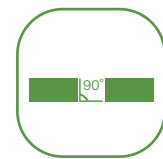
48000 times
blade life



3-in-1
universal holder



CNC processing
and molding



≤ 0.5 degree
Cleaved angel



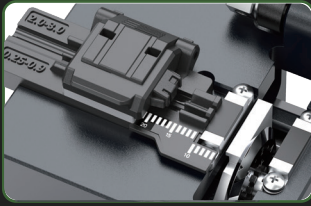
Product Features

- Blade life up to 48,000 times
- All-in-one holder is suitable for various optical fibers of 250~3.0mm
- High-precision CNC machining and forming, excellent texture
- Typical cleaving angle ≤ 0.5 degree
- Tungsten steel blade, wear resistance, high hardness, corrosion resistance
- Palm-sized design, lightweight and portable



Pressure pad

Silicone pressure pad can effectively hold down the optical fiber



Holder

All-in-one holder is suitable for various optical fibers of 250~3.0mm



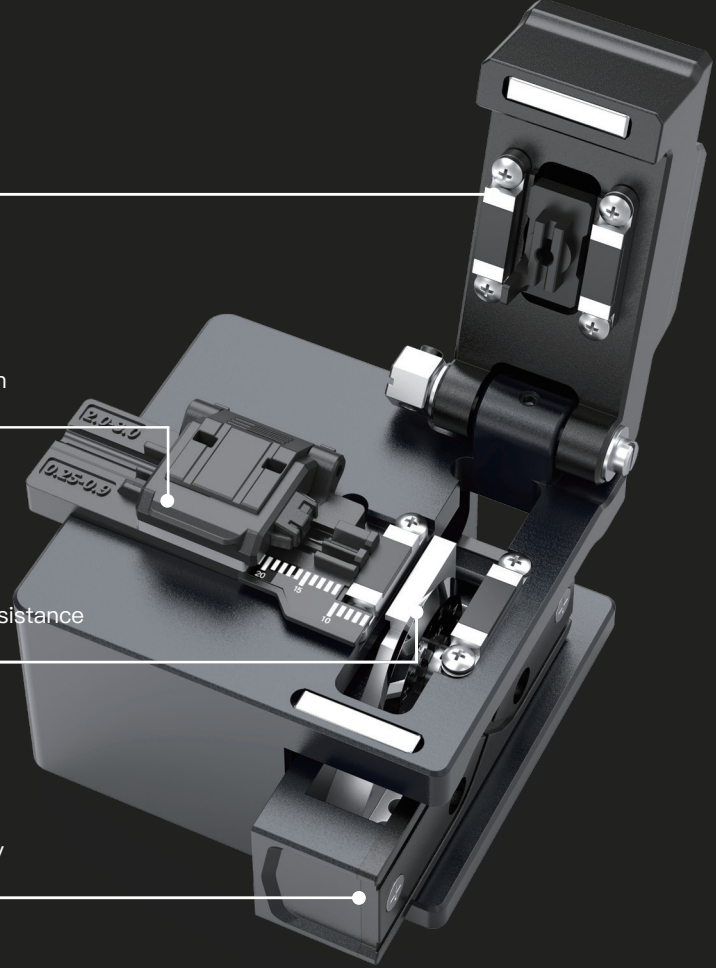
Blade

Real tungsten steel blade, wear resistance, high hardness, corrosion resistance

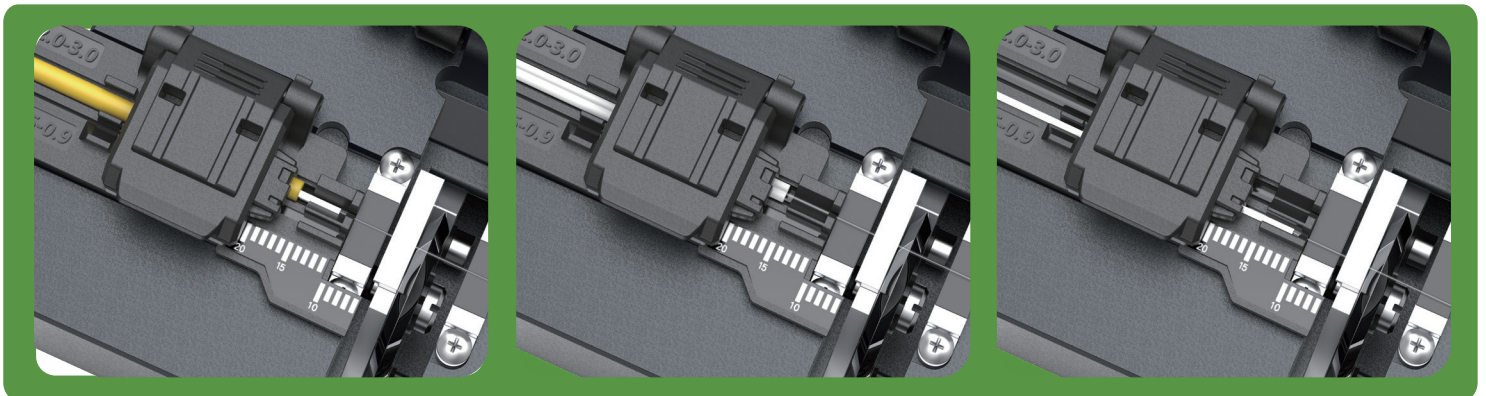


Slide

High-precision slide, open the cover will return automatically



3-in-1 holder



Product parameter

Fiber Material	Single fiber
Cladding Diameter	125μm
Cleaved Length	Single fiber: 8~20mm / Ribbon fiber: 10mm
Applicable Fiber Cable	Single fiber: 250μm, 900μm, 3.0mm / flat cable / Ribbon fiber: 2 to 12 fiber cable
Typical Cleaved Angle	Less than 0.5 Degrees ★①
Typical Blade Life	Total 48,000 fiber cleaves (replaceable) ★②
Off-cut Collector	/
Type of Offcut Bin	/
Auto Return	Pre-fitted
Dimension / Weight	55W *55D*50H(mm) / 235g

★① The fiber cleave angle changes by operating environment ★② Blade life changes by operating environment

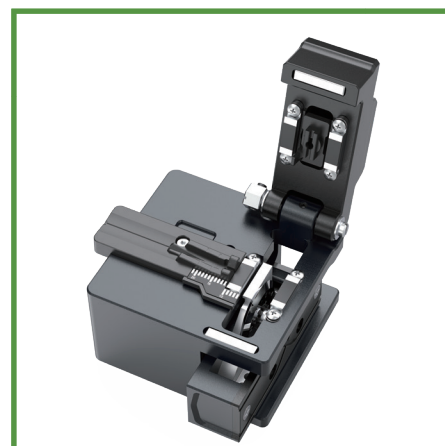


Product configuration

Fiber cleaver FC-20	1
Carrying case	1
Quick guide	1



Product show



HEAD OFFICE:

TAWAA TOOLS LIMITED

CONTACT US:

Headquarters address:

China (Jiangsu) Pilot Free Trade Zone Suzhou Area Room 1703,
Shanglv Building, No.381 East of Suzhou Avenue, Industrial Park.

Factory address:

B Building Zhongzhi Science and Technology Park, No.95 Xingangwan
Road, Liuhe Economic Development Zone, Nanjing, Jiangsu, China.

Phone : 0512-87811849

Website : www.tawaa.com

Email : info@tawaa.com



Website